

# DYER CORNER WALL HUNG BASIN

Cat. No  
4-9030



Faucet not included



Mounting hardware

W: 12-1/8"  
D: 17-3/8"  
H: 5-1/8"

Water depth 1-1/2" to overflow

## Interior Dimensions:

Basin Diameter:	10-1/4"
Basin Depth:	2-7/8"
Back of basin to center of faucet:	3-7/8"
Back of basin to center of drain:	11-3/8"
Faucet hole diameter:	1-3/8"

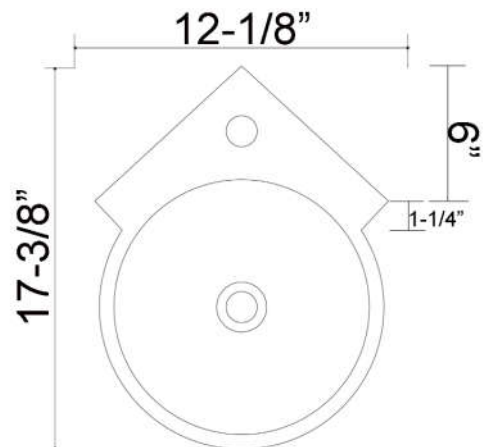
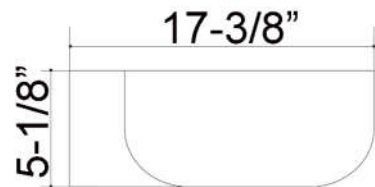
## Features:

- ▶ Made of Vitreous China
- ▶ Pre-drilled with 1-3/8" single faucet hole
- ▶ Mounting hardware included
- ▶ IAPMO certified
- ▶ Overflow with chrome cover provided
- ▶ Drain not provided



Colors:  
WH White

**Compliance Certification**  
Meets or exceeds the following specifications: ASME A112.19.2.2018 for Vitreous china fixtures.



Dimensions of fixture are nominal and may vary within the range of tolerances established by ANSI Standard A112.19.2.2018 Dimensions and specifications subject to change without notice.